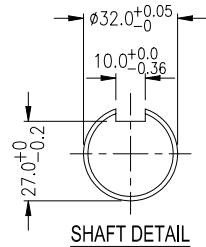
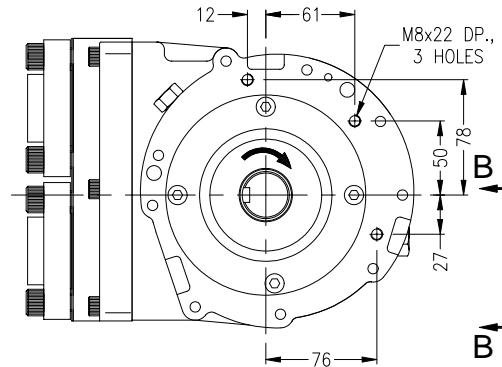


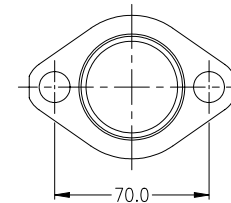
VIEW "B-B"
ECONOMIZER PORT



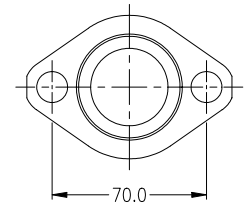
SHAFT DETAIL
10x8x50 LG. KEY SUPPLIED



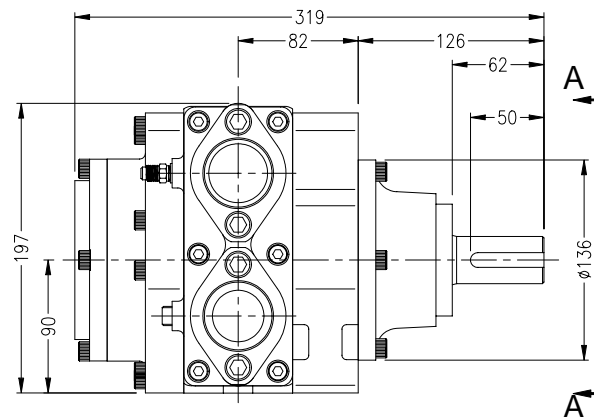
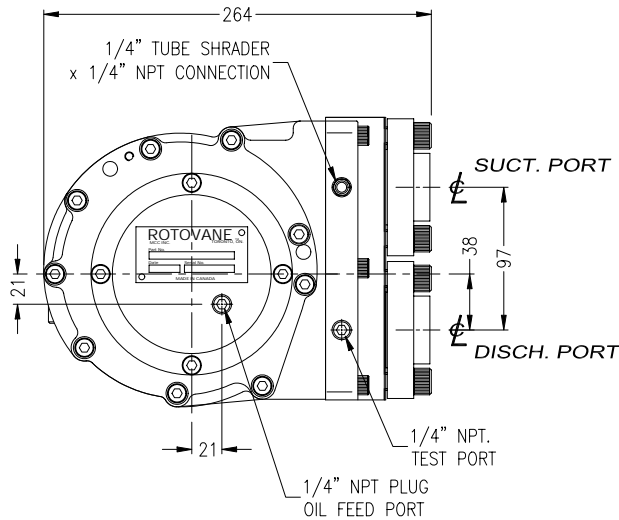
VIEW "A-A"
MOUNTING HOLE
LAYOUT



SUCTION PORT
1 5/8" SWEAT CONNECTION
M12 BOLTS (INCL.)



DISCHARGE PORT
1 3/8" SWEAT CONNECTION
M12 BOLTS (INCL.)



SPECIFICATIONS:

WEIGHT: 41kg, (90 lbs) DRY
SWEPT VOLUME: 443cc (27in³)
RPM MIN: 800
RPM MAX: 4000
MAX. SIDE LOAD: 1335N (300 LBS.)
REFRIGERANT: R134A
ROTATION: CLOCKWISE (SHAFT END)
SUCTION FITTING: ϕ 1 5/8" SWEAT CONNECTION
DISCH. FITTING: ϕ 1 3/8" SWEAT CONNECTION

NOTE:

COMPRESSOR SHIPPED WITH:
1) 1.03-1.38 bar (15-20 psi) DRY NITROGEN.

ITEM	QTY.	PART NO.	DESCRIPTION	MATERIAL
CHK'D:		DATE:		DATE: JAN. 31, 2002
DESIGNED:			RC450	SCALE: NTS SHEET: 1/1
ROTOVANE TECHNOLOGIES INC. <small>TORONTO/ON/PAPEL/CANADA</small>			GENERAL COMPRESSOR ASSEMBLY	DWG. NO. RC450 REV. 0

REV.	DCR #	DATE	BY	CHK'D	DATE